

REAL-EL
USER MANUAL



**2.0 MULTIMEDIA
SPEAKER SYSTEM**
S-470

Congratulations on your purchase of the REAL-EL speaker system!

COPYRIGHT

© 2025. ENEL GROUP OU.

This Manual and information contained in are copyrighted. All rights reserved.

TRADEMARKS

All trademarks are the property of their legal holders.

CONTENTS

1. BUYER RECOMMENDATIONS	1
2. PACKAGE CONTENTS	1
3. SAFETY PRECAUTIONS	2
4. TECHNICAL DESCRIPTION	2
5. PREPARATION AND OPERATION	3
6. FUNCTION MODES	3
7. TECHNICAL SPECIFICATIONS	4

1. BUYER RECOMMENDATIONS

- Unpack the device carefully. Make sure there are no accessories left in the box. Check up the device for damage; if the product was damaged during transportation, address the firm, which carried out the delivery; if the product functions incorrectly, address the dealer at once.
- Check up the package contents and availability of the warranty card. Make sure the warranty card has a shop stamp, a legible signature or the seller's stamp and purchase date, and the goods number corresponds to that in the warranty card. Remember: in case of warranty card loss or discrepancy of numbers you forfeit the right for warranty repairs.
- Do not switch on the speaker system immediately after you bring it into a room from environment with negative temperature! After unpacking, the speaker system should be kept in conditions of room temperature for at least 4 hours.
- Before installing and using the speaker system, read this Manual carefully and keep it for future reference.

2. PACKAGE CONTENTS

Speaker active - 1 pc
 Speaker passive - 1 pc
 AUX 3.5 mm cable — 1 pc
 Optical cable — 1 pc
 Power cable — 1 pc
 Audio cable — 1 pc
 Warranty card — 1 pc
 User manual — 1 pc

3. SAFETY PRECAUTIONS

- Do not open the device and do not perform repairs by yourself. Service and repairs should be performed only by qualified specialists at authorized service centers. The list of authorized service centers is on www.real-el.com
- Make sure that foreign objects do not get inside the holes of the device.
- Protect the device from high humidity, water and dust.
- Protect the device from heating: do not place it closer than 1 m from a heat source. Do not expose it to direct sunlight.
- Do not use any chemical agents for cleaning. Clean it with dry soft cloth only.
- In case of device does not work properly. Please contact place of purchase or service center.

Special features

- Pure excellence sound
- High quality speaker drivers
- Carbon fiber woofer
- High-efficiency power amplifier
- Optimized crossover
- Perfectly for connection with TV
- Treble, Bass and Volume control

4. TECHNICAL DESCRIPTION

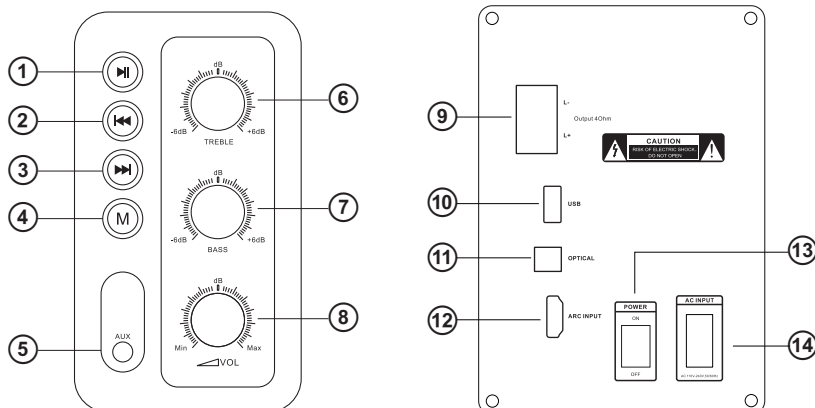
Control panel

- ① Play/Pause button
- ② Previous track
- ③ Next track
- ④ Selection of input signal / operating mode (short press);

On/Off Standby mode (long press)

- ⑤ AUX input 3.5 mm
- ⑥ Treble level adjustment

- ⑦ Bass level adjustment
- ⑧ Volume control
- ⑨ Speaker connection terminal
- ⑩ USB-flash (64Gb Max)
- ⑪ Optical input
- ⑫ HDMI ARC input
- ⑬ ON/OFF power switch
- ⑭ Power cable connection jack

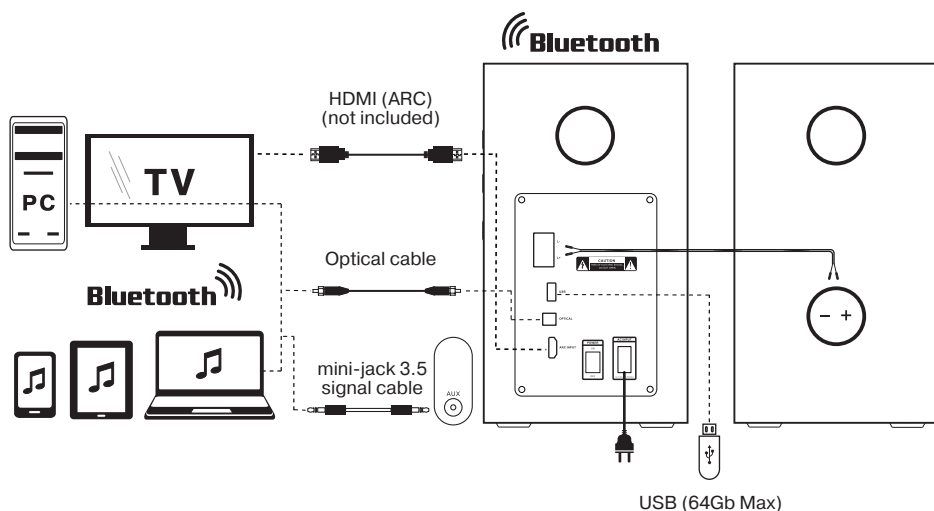


5. PREPARATION AND OPERATION

MSS Connecting

Multimedia Speaker System (MSS) can be connected to most of audio sources: PCs, laptops, tablet PC, cell phones, etc. (see connection diagram in Fig.).

- Place the speakers symmetrically to the listener at least one meter away.
- Connect active speaker.
- Connect required cable to audio source.
- Adjust volume on minimum level.
- Plug-in power cable to mains and turn ON the speaker.
- Short press M (4) to change the input signal mode Bluetooth/USB/Optical/Aux (Line-in)/HDMI.
- HDMI ARC or USB modes switches automatically after connection.



6. FUNCTION MODES

Bluetooth mode

- Choose bluetooth mode by pressing M (4). MSS start search mode.
- Activate Bluetooth search mode of your device (phone, notebook, smartphone, etc.). «REAL-EL S-470» will be displayed which should be connected to.
- Reconnection is automatic.
- To connect another device, you need to repeat the Bluetooth connection procedure, provided that the previous device is not connected to the speaker

OPTICAL / AUX (Line-in) mode

- Select the corresponding playback mode M ④.
- Connect an audio source using appropriate cable.

Note:

When using a wired connection, control is provided from the audio source.

HDMI mode

- Make sure your TV supports HDMI ARC function.
- Plug in HDMI cable (V1.4 or V2.0) to the speaker and TV HDMI ARC output.
- The mode has auto detection and will be recognized once connected.

(HDMI cable is not included. We recommend using HDMI v2.0 4K cable).

USB playback mode

- Insert the USB flash drive into the corresponding slot, it activates automatically.

Note:

NO POWERBANK FUNCTION. Do not use USB port for charging!

USB port supports flash drive up to 64Gb.

7. SPECIFICATION

Parameter	Value
Output power (RMS)	60 (2 × 30) W
Frequency range	35 – 20 000 Hz
Speaker drivers size	
HF driver	Ø 25 mm (1")
LF driver	Ø 100 mm (4")
Power supply	~ 230/50 V/Hz
Connection	Bluetooth / USB / Optical / Aux (Line-in) / HDMI
Supported Bluetooth Profiles	EDR + V 5.3
Bluetooth operation distance	up to 10 m
Dimensions (one speaker)	145 × 255 × 230 mm
Case material	wooden (MDF)
Weight	5 kg

Notes:

- Technical specifications given in this table are supplemental information and cannot give occasion to claims.
- Technical specifications and package contents are subject to change without notice due to the improvement of REAL-EL production.



Manufacturer: ENEL GROUP OU, Harju maakond, Rae vald, Jüri alevik, Aruküla tee 55a, 75301, Estonia.
© Registered Trademark of ENEL GROUP OU. Estonia.